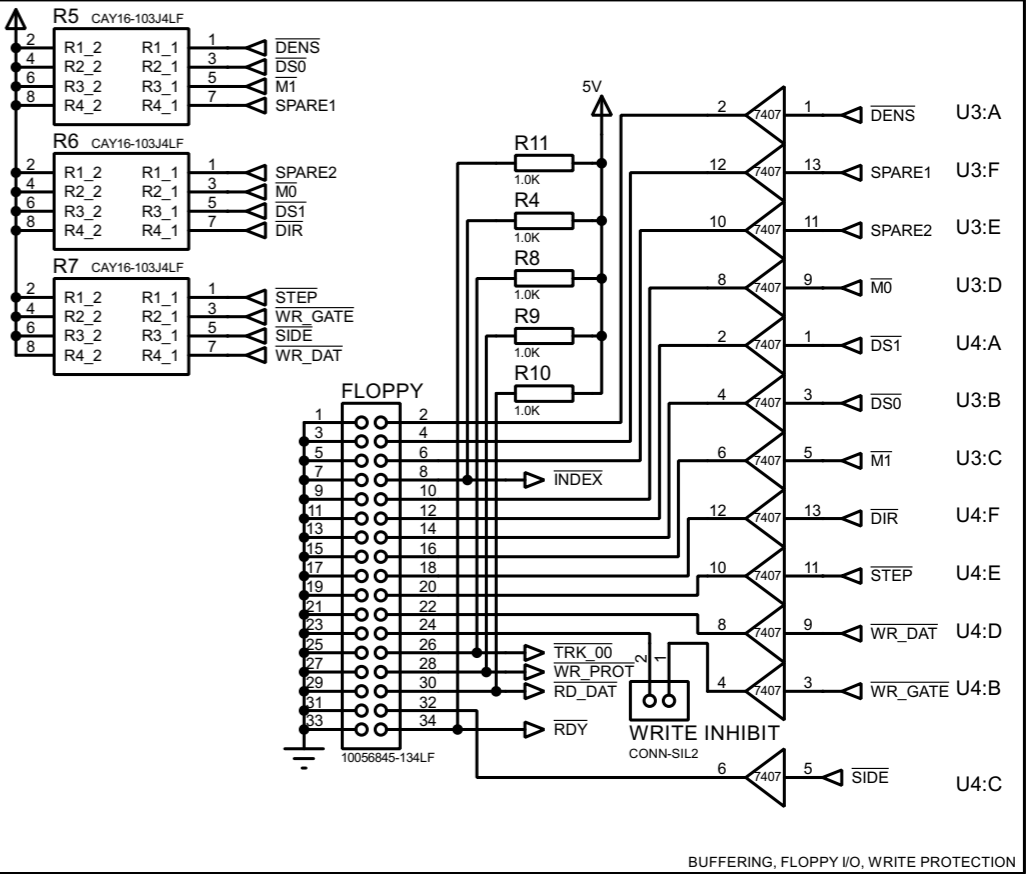


BOARD FEATURES FLOPPY PINS 4 AND 6 WIRED THRU BUFFERS ON MPU PINS PE15 AND PE14, AND FLOPPY PIN 34 WIRED DIRECTLY TO MPU PIN PC2



NOTE: ALL CAPACITORS SPEC'D AS DIELECTRIC TYPE X5R. AVOID LOWER GRADES.

FILE NAME: F7Lightning.pdsprj	DATE: 26/05/2020
DESIGN TITLE: Greaseweazle F7 Lightning	PAGE: 1 of 1
BY: George Rudolf Mezzomo	TIME: 05:38:32
REV: 1.1	