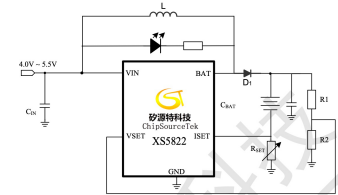
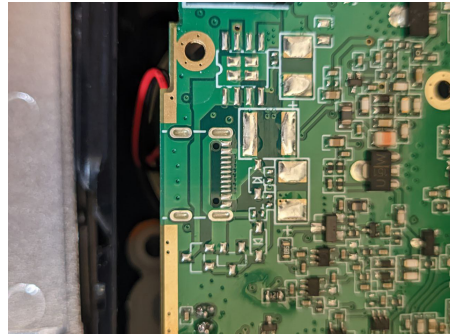
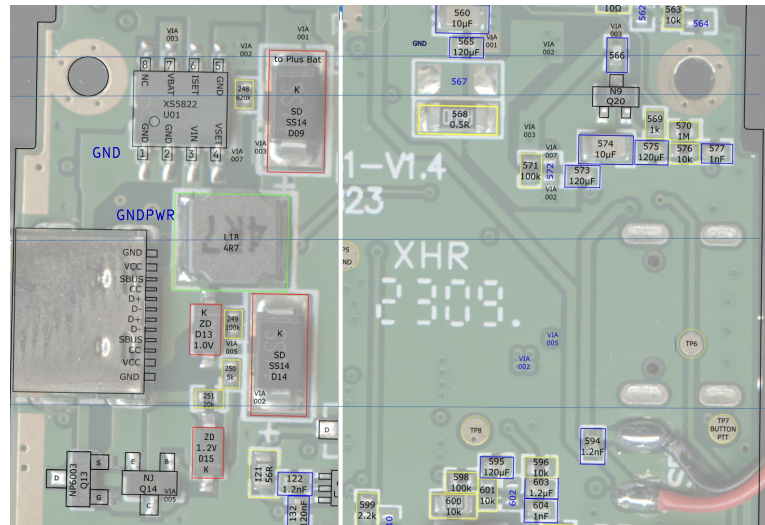


WD BZT52C8V2 Zenerdiode NXP
 WL PZU12*A/DG Zenerdiode NXP
 WA PZU10*A/DG Zenerdiode NXP
 SS14 Schottkydiode 40V / 1A (Case DO-214AC)



ESOP-8 PIN	PIN Name	Function
1/2/5	GND	Ground Pin
3	VIN	Power Supply
4	VSET	Battery Voltage Set PIN, VBAT=1.2*(R1+R2)/R2
6	ISET	Charge current set Pin, Ibat=0.2/Rset
7	VBAT	Charge Current Output. Connect to Battery.
8	NC	Not Connect
9	EP	GND EPAD



Output of XS5822 is around 8.3V
 This feeds Q533, produce Mainvoltage of 3.3 V

Ladestrom Rset = I_{Bat}=0.2/Rset
 $v_{bat} = 1.2 * (R1 + R2) / R2$
 $R1=620k\Omega, R2=100k\Omega$

Sheet: /USB-Charge/
 File: USB-Charge.kicad_sch

Title: USB-C Charge (Parts-List-Numbering)

Size: A4 Date: 2023-10-03
 KiCad E.D.A. kicad 7.0.7

Rev: ludwigh
 Id: 6/14