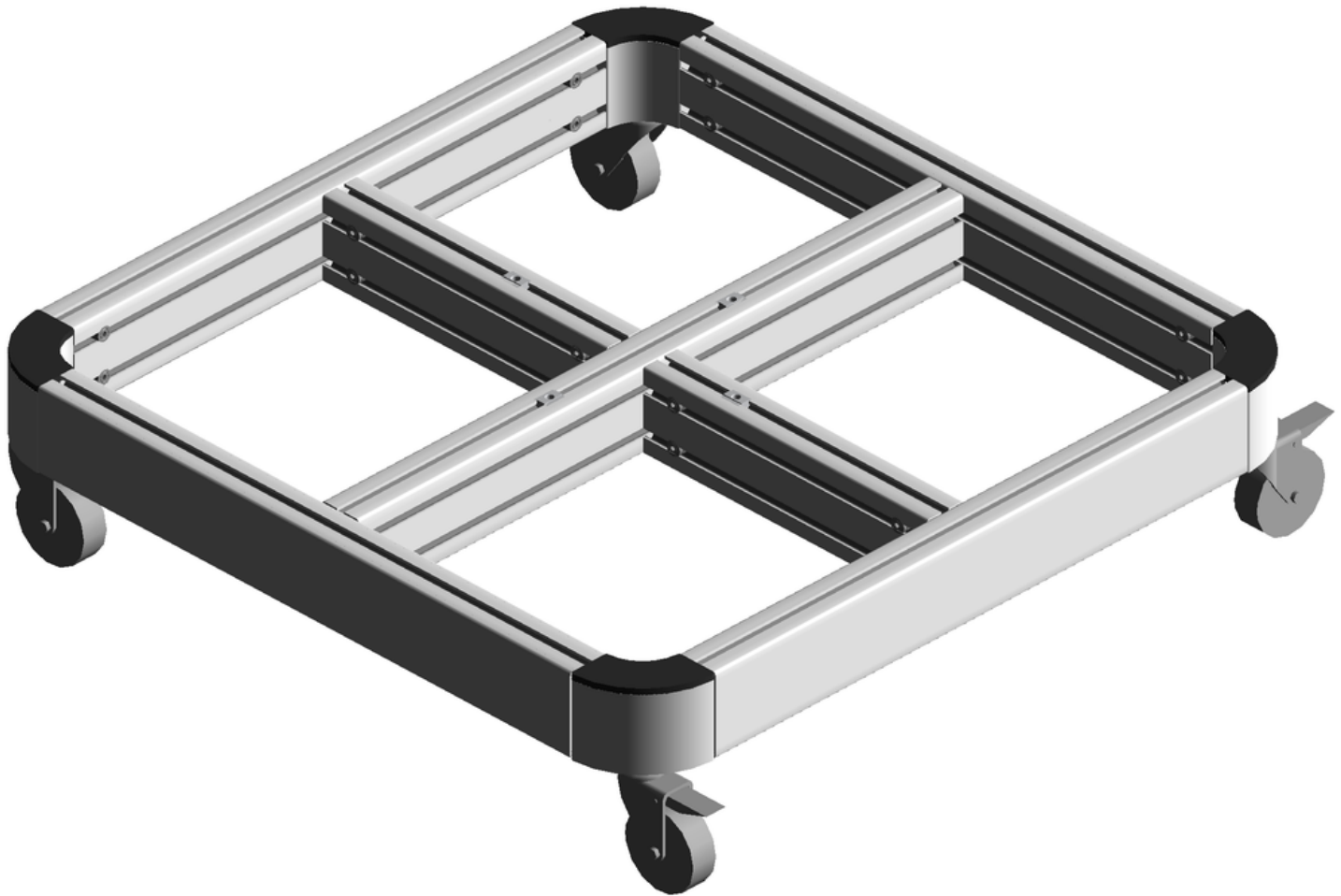


# CONSTRUCTION DOCUMENTATION

Design Title : RC\_IIT\_090\_A\_020  
Revision Level : 0  
Approved by : Savoldi  
Designer : Aldo  
Company : MP filtri  
Address :  
E-Mail :  
Phone :  
Date : 3/9/2018



## Bill of materials

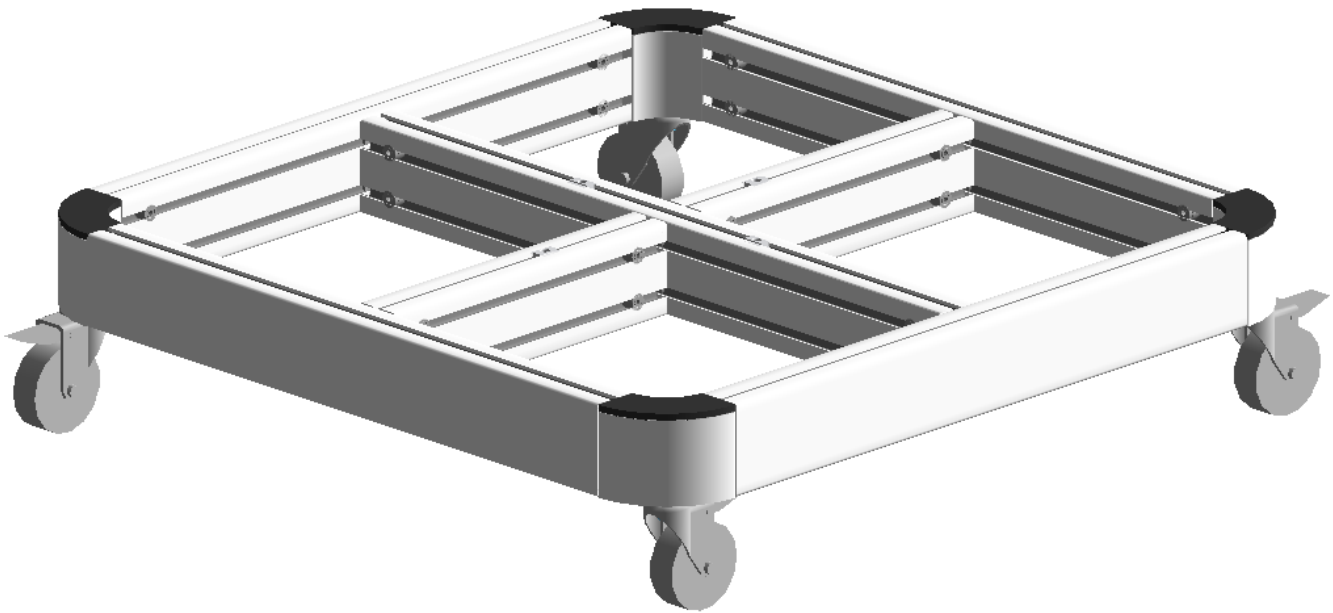
Pos	Article-No	Description	Units	Qty	Each €	Price €
1	1.11.040080.44LP-FB4FB4/585	Profile 40x80, 4E, light, plain	MM	4	25.53	102.13
2	1.11.040080.64LP-FB4FB4/665	Profile 40x80, 6E, light, plain	MM	1	24.59	24.59
3	1.11.040080.64LP-FB4FB4/312.5	Profile 40x80, 6E, light, plain	MM	2	15.96	31.91
4	1.11.040R90.20LP-L00LL0/74	Profile 40, round 90 deg., 2E, light, plain Depth of thread, right: 31.0 mm Position of thread, right: b	MM	4	7.31	29.22
5	1.32.4EM8	T-Nut for subsequent insertion, w. spring E, M8	EA	4	1.13	4.52
6	1.42.2040R90.2	Cover cap 40, round 90 deg., h6, black	EA	4	0.96	3.84
7	1.45.31075	Swivel castor stop fix with bolt hole fitting, dia: 75	EA	4	13.63	54.52
8	0.63.D06912.10030	Cylindric head screw, DIN 6912 - M10x30	EA	4	0.18	0.72
9	1.21.4E0	Connector, universal	EA	28	2.30	64.40
10	1.35.1141030	Threaded insert M14/M10, L30	EA	4	1.66	6.64

**Total Weight:** 13.13 kg (28.94 lbs)      **Total (EURO):** € 322.49

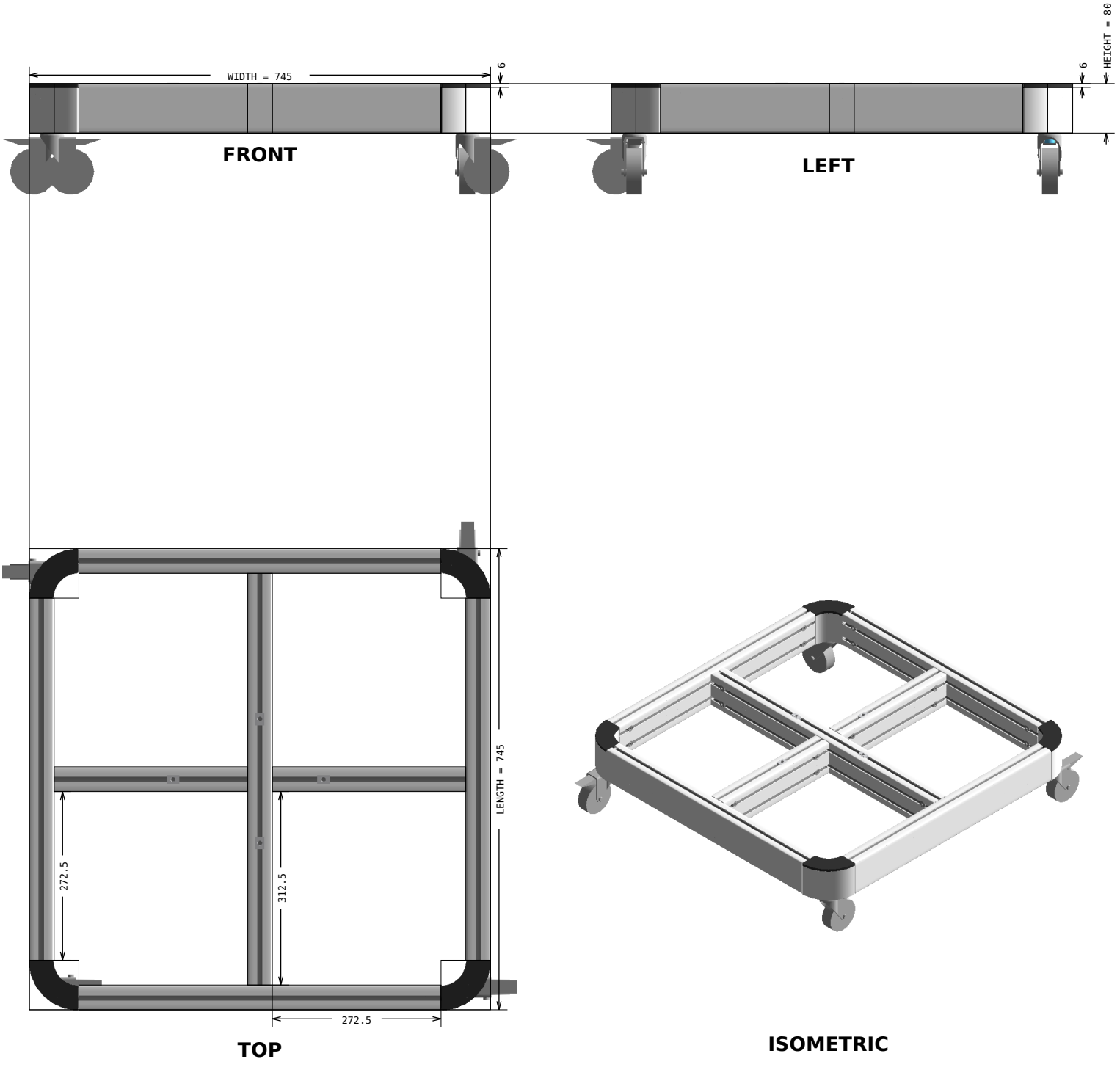
\* The price indicated above, does not include assembly, packaging and transport.

## Isometric view

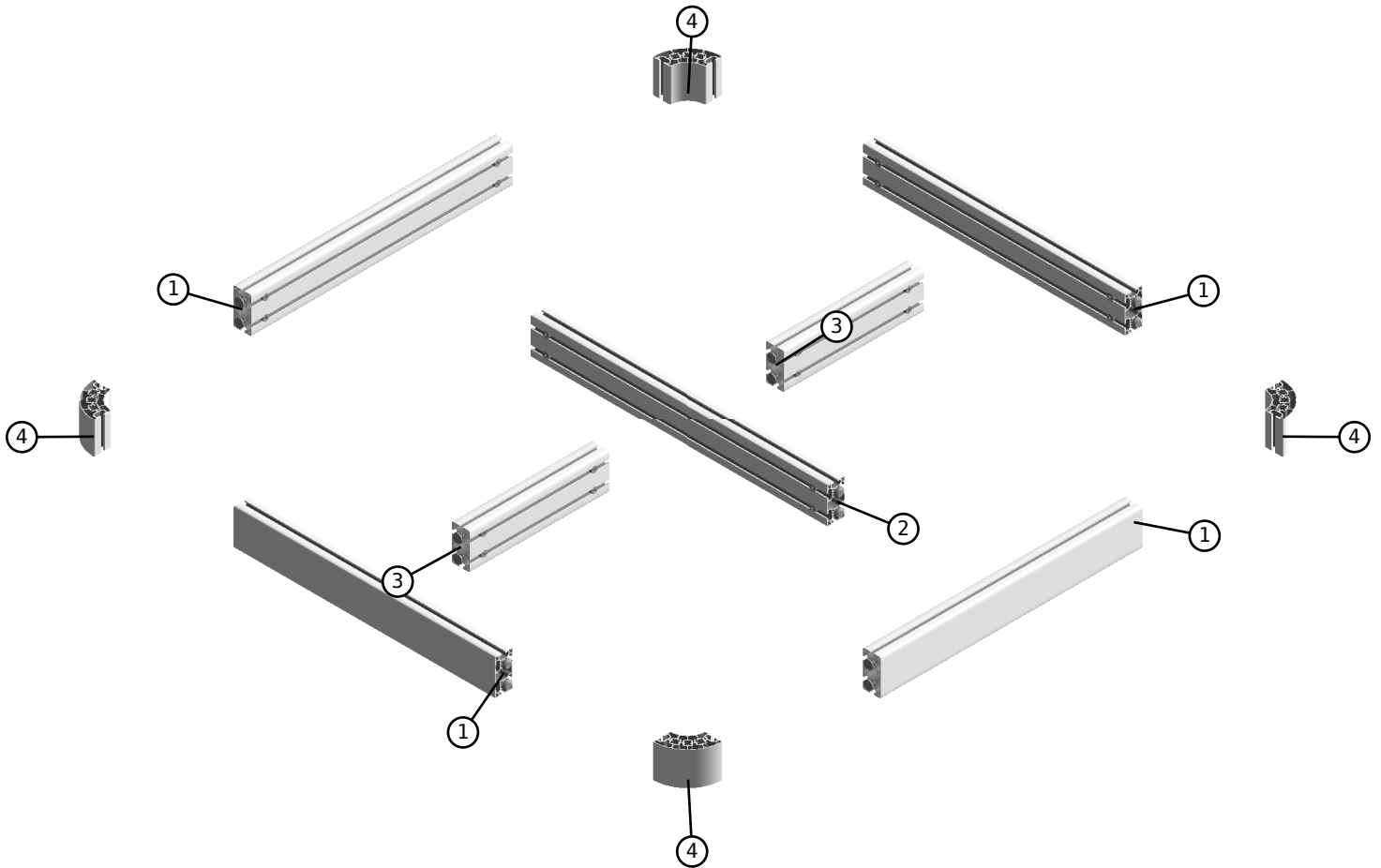
Some accessories may not be shown



# Multiview




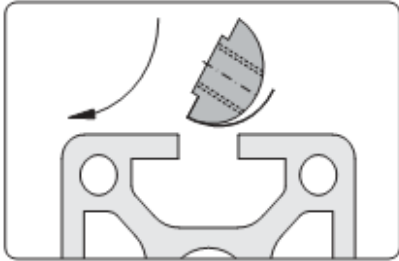
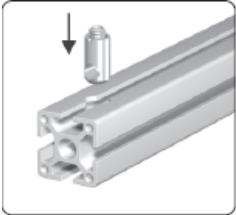
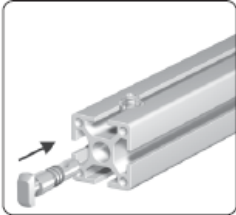
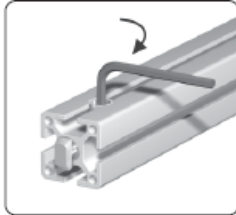
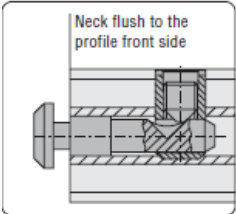
# Exploded view



## Assembly List

Pos	Article-No	Description	Related parts
1	1.11.040080.44LP-FB4FB4/585	Profile 40x80, 4E, light, plain	1.21.4E0, Connector, universal 1.21.4E0, Connector, universal 1.21.4E0, Connector, universal 1.21.4E0, Connector, universal
2	1.11.040080.64LP-FB4FB4/665	Profile 40x80, 6E, light, plain	1.21.4E0, Connector, universal 1.21.4E0, Connector, universal 1.21.4E0, Connector, universal 1.21.4E0, Connector, universal
3	1.11.040080.64LP-FB4FB4/312.5	Profile 40x80, 6E, light, plain	1.21.4E0, Connector, universal 1.21.4E0, Connector, universal 1.21.4E0, Connector, universal 1.21.4E0, Connector, universal

## Assembly hints

Accessory	1.32.4EM8	T-Nut for subsequent insertion, w. spring E, M8
 <p><b>Application</b> Fastening element for screw-type connections</p>  <p><b>Technical data</b>        Design steel:        • material: steel        • surface: galvanised        Design stainless:        • material: stainless steel 1.4305        • surface: pickled and passivated        max. moment of torque: <math>M_{A, max}</math></p>		<p>These t-nuts are easily inserted into assembled frames</p>
All types of connectors	1.21.4E0	Connector, universal
 <p>Insert the cross bushing</p>  <p>Push in the anchor</p>  <p>Pretension the anchor</p>  <p>Neck flush to the profile front side</p> <p><b>Comments</b> For the optimal assembly of the profiles the connector is to be installed in such a way that the neck is flush to the profile front side</p>		<p>Most MayTec connectors follow these assembly steps. Tightening torque is: 5-15 Nm for 20mm profiles, 30 Nm for 30mm group, 35 Nm for 40mm and larger profiles.</p>