

Jumper 1 & 2 to select regulator to power probe
 Jumper 2 & 3 to power the probe from 3V3 target
 (all P1 Jumpers must be off)

Jumper 1 & 2 to select the target to power the probe. (5volt targets)
 Jumper 2 & 3 to select USB to power the probe.

The 2k charge control resistor
 gives a charge current of
 approx. 500mA.

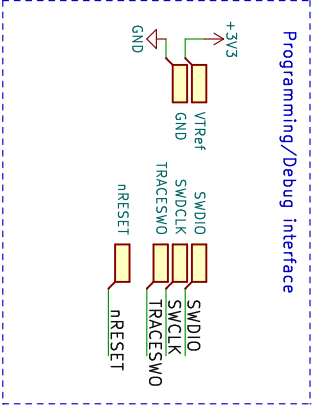
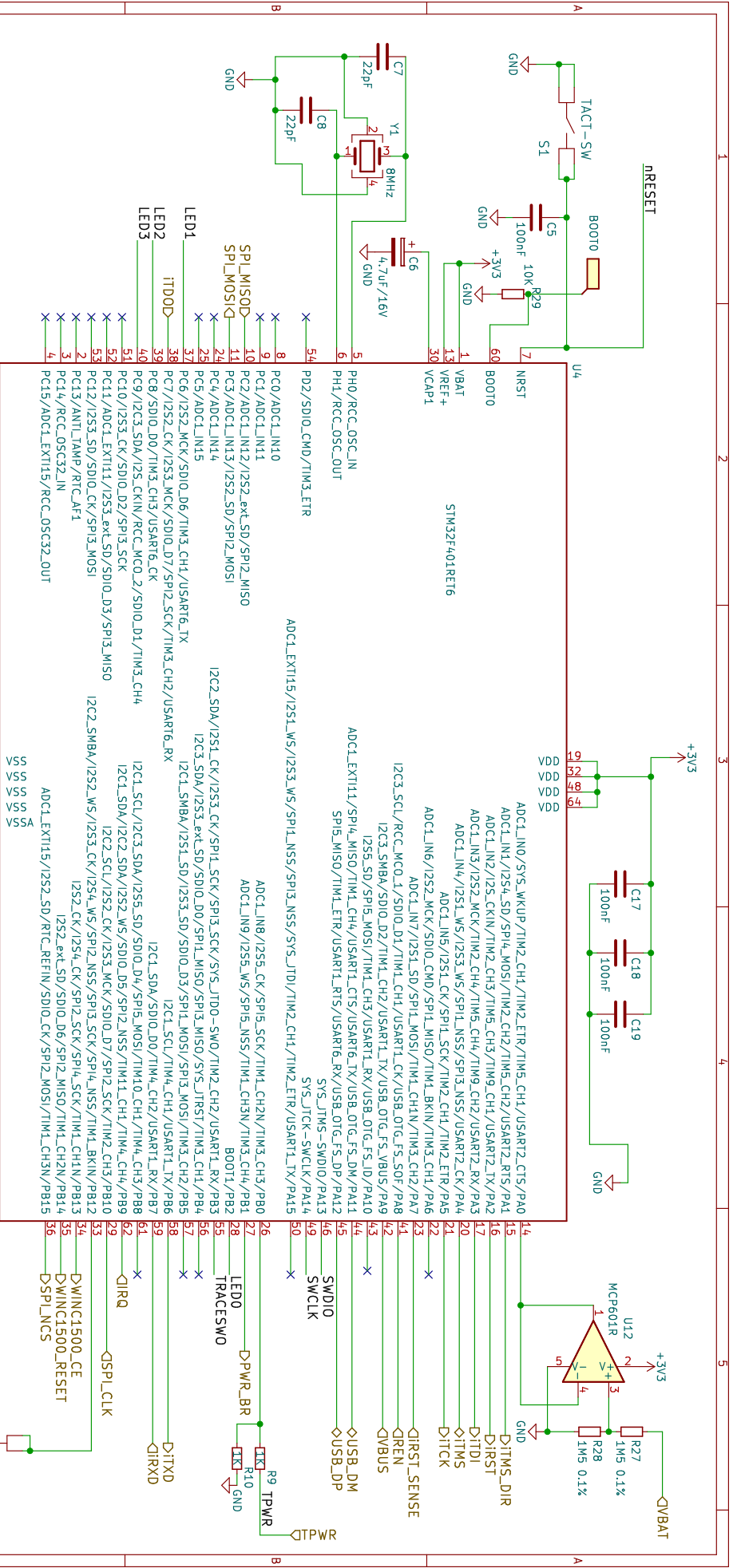


Licensed: CC-BY-SA 4.0
 Original Design by Blackshere Technologies
 Portions Copyright 2016 Piotr Esden-Tempski
 Copyright 2019 - Sid Price
Sid Price Design
 Sheet: /
 File: bmp_wi-fl_f4.sch

Title: cdxlink - Wireless Debug Probe

Size: USLetter Date: 2019-11-18
 Kicad E.D.A. kicad (6.0.10)

Rev: 1.6c
 Id: 1/4

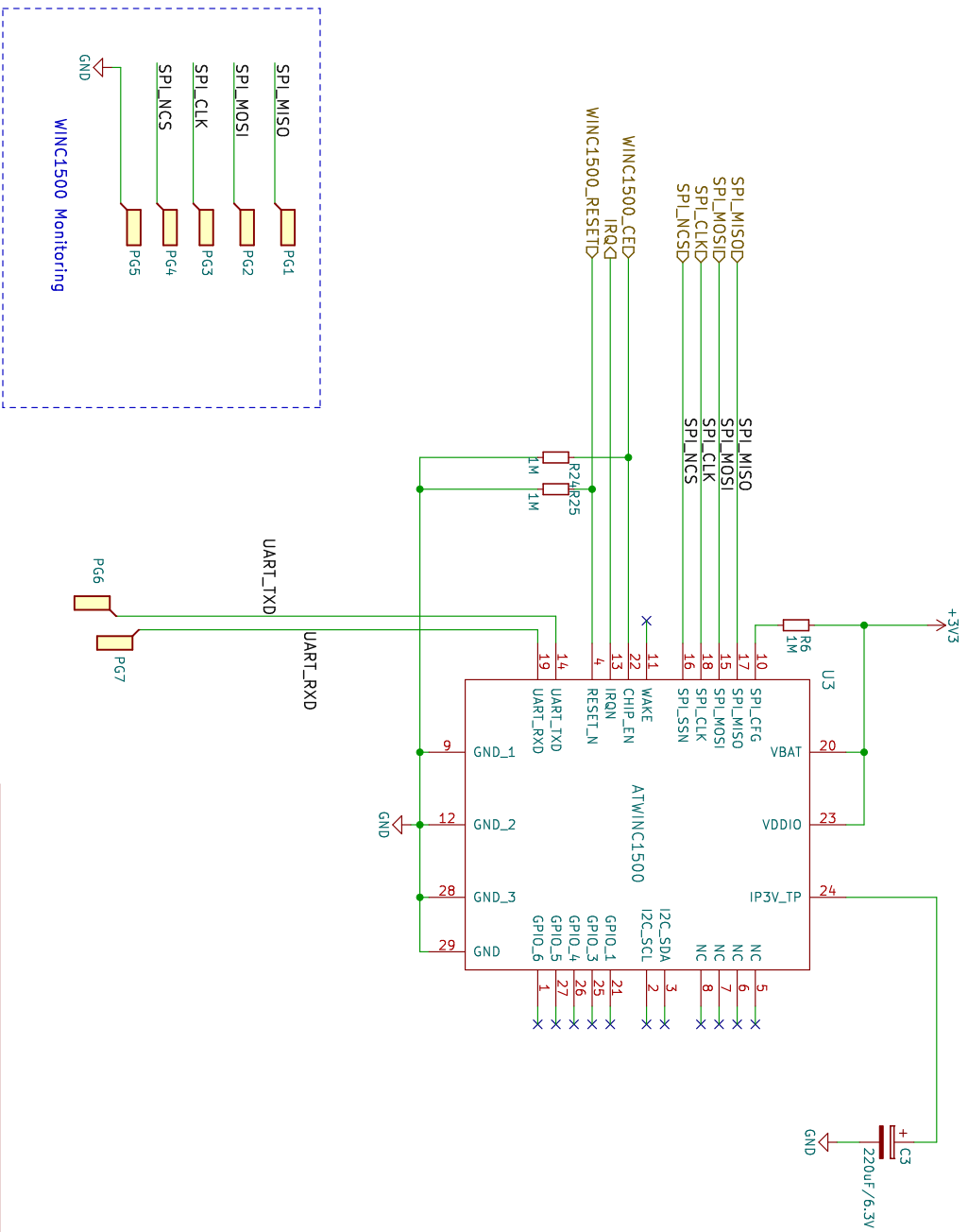


Licensed: CC-BY-SA 4.0
 Original Design by Blackshere Technologies
 Portions Copyright 2016 Piotr Esden-Tempski
 Copyright 2019 – Sid Price
Sid Price Design
 Sheet: /WBMP_MCU/
 File: WBMP_MCU.sch

Title: cdxLink - Wireless Debug Probe

Size: USLetter Date: 2019-11-18
 Kicad E.D.A. kicad (6.0.10)

Rev: 1.6c
 Id: Z/4



Licensed: CC-BY-SA 4.0

Original Design by Blackshere Technologies
Portions Copyright 2016 Piotr Esden-Tempski

Copyright 2019 - Sid Price

Sid Price Design

Sheet: /WBMP_wf-FI/

File: WBMP_wfif.sch

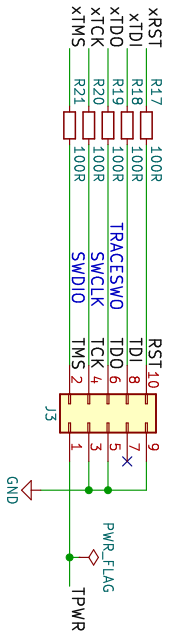
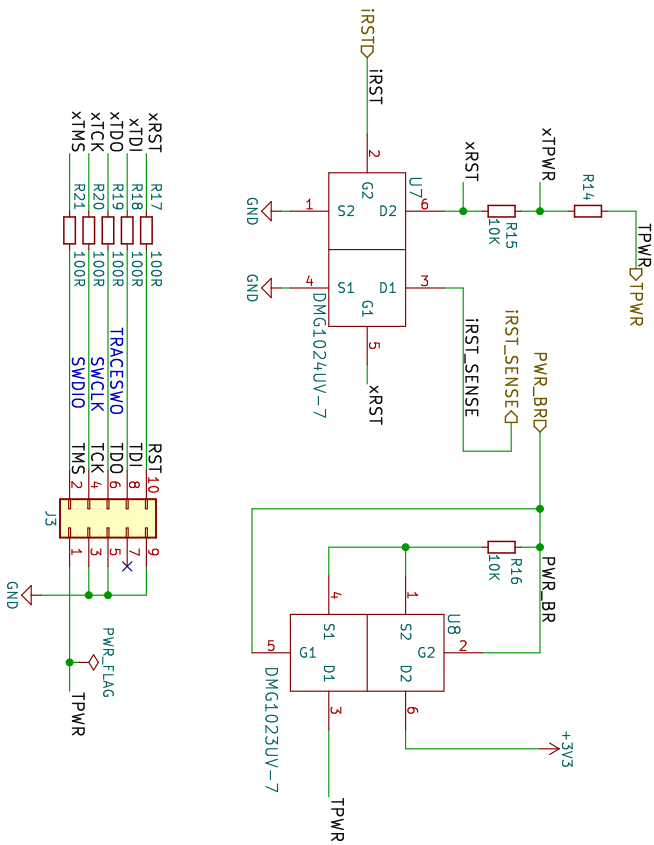
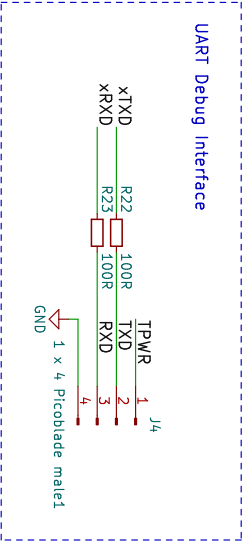
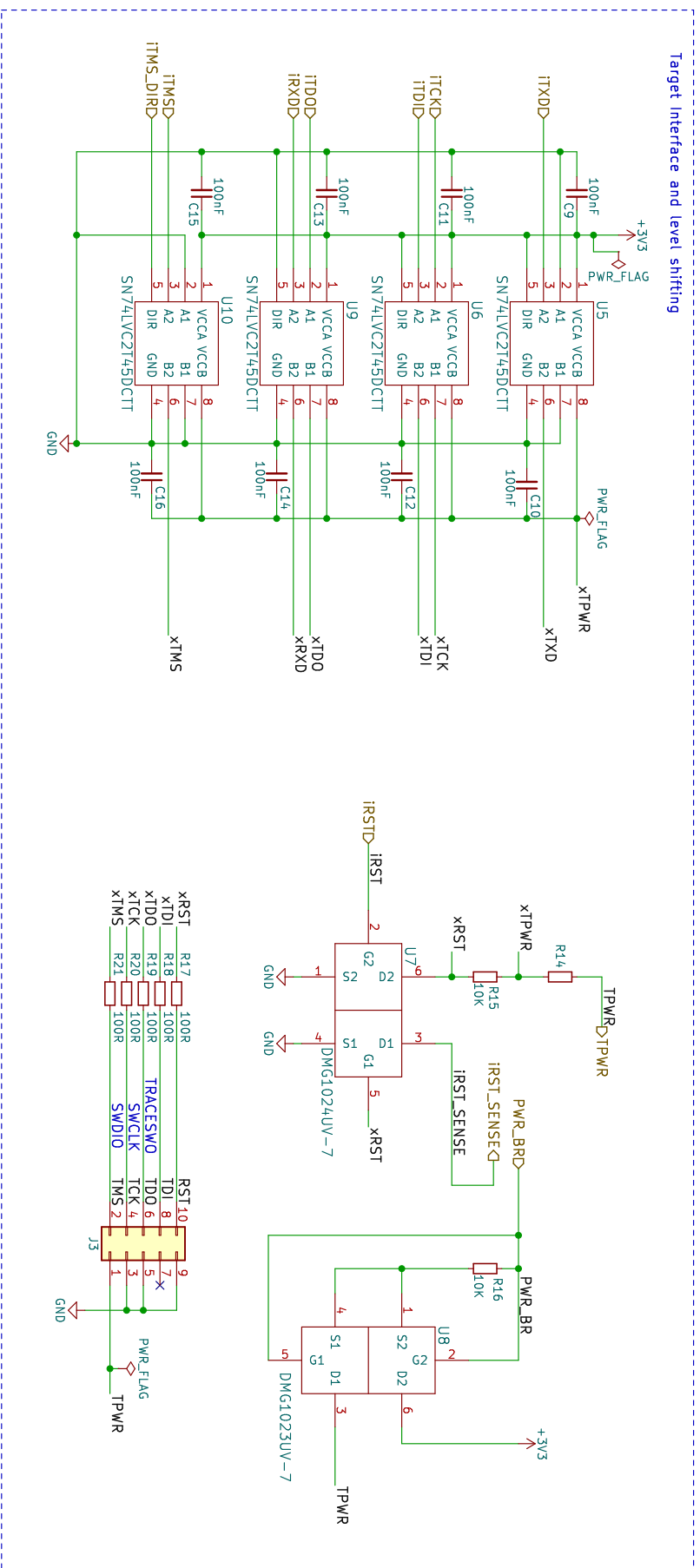
Title: cdxlink - Wireless Debug Probe

Size: A Date: 2019-11-18

KiCad E.D.A. kicad (6.0.10)

Rev: 1.6c

Id: 3/4



Licensed: CC-BY-SA 4.0
 Original Design by Blackshere Technologies
 Portions Copyright 2016 Piotr Esden-Tempski
 Copyright 2019 - Sid Price
Sid Price Design
 Sheet: /WBMP - Target Interface/
 File: WBMP_TargetInterface.sch

Title: cdxLink - Wireless Debug Probe

Size: A Date: 2019-11-18

Kicad E.D.A. kicad (6.0.10)

Rev: 1.6c
Id: 4/4