

DMX512 LED Controller Rev 1 2011

J3

PCB by Thomas Daede
daede003@umn.edu

J4

J2

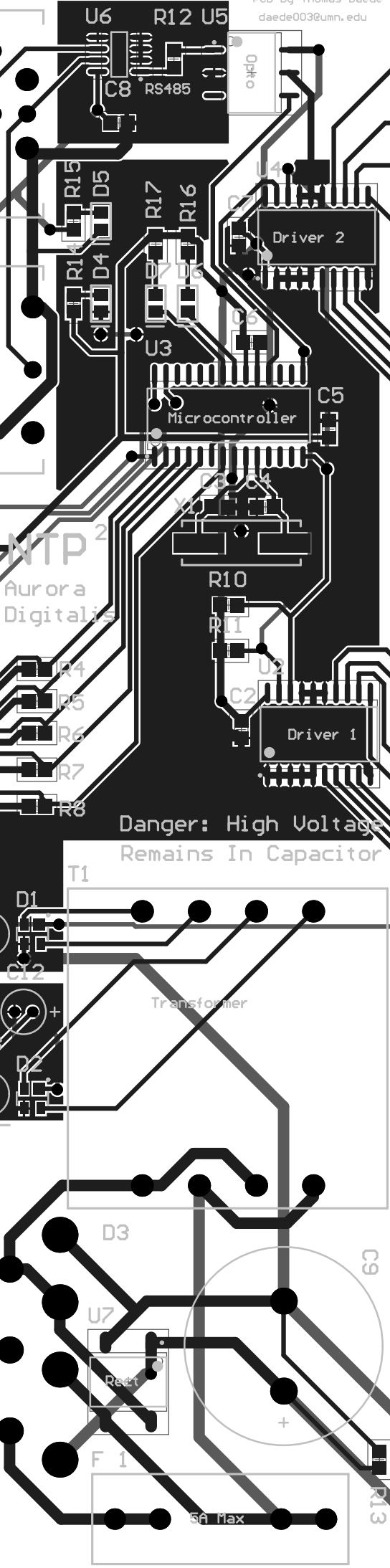
S1

U8

U9

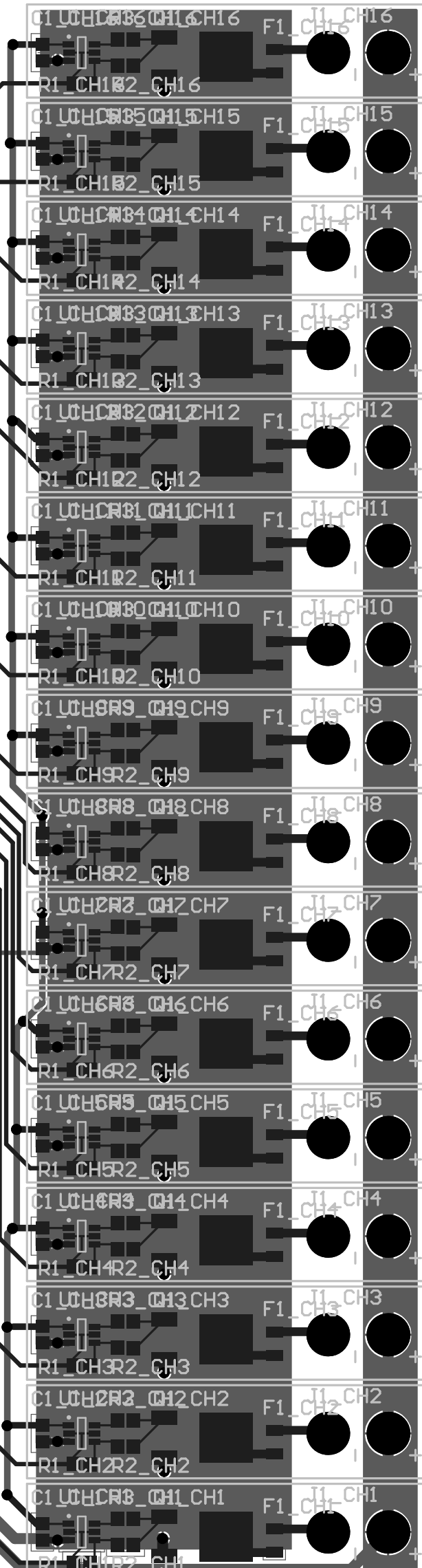
J5

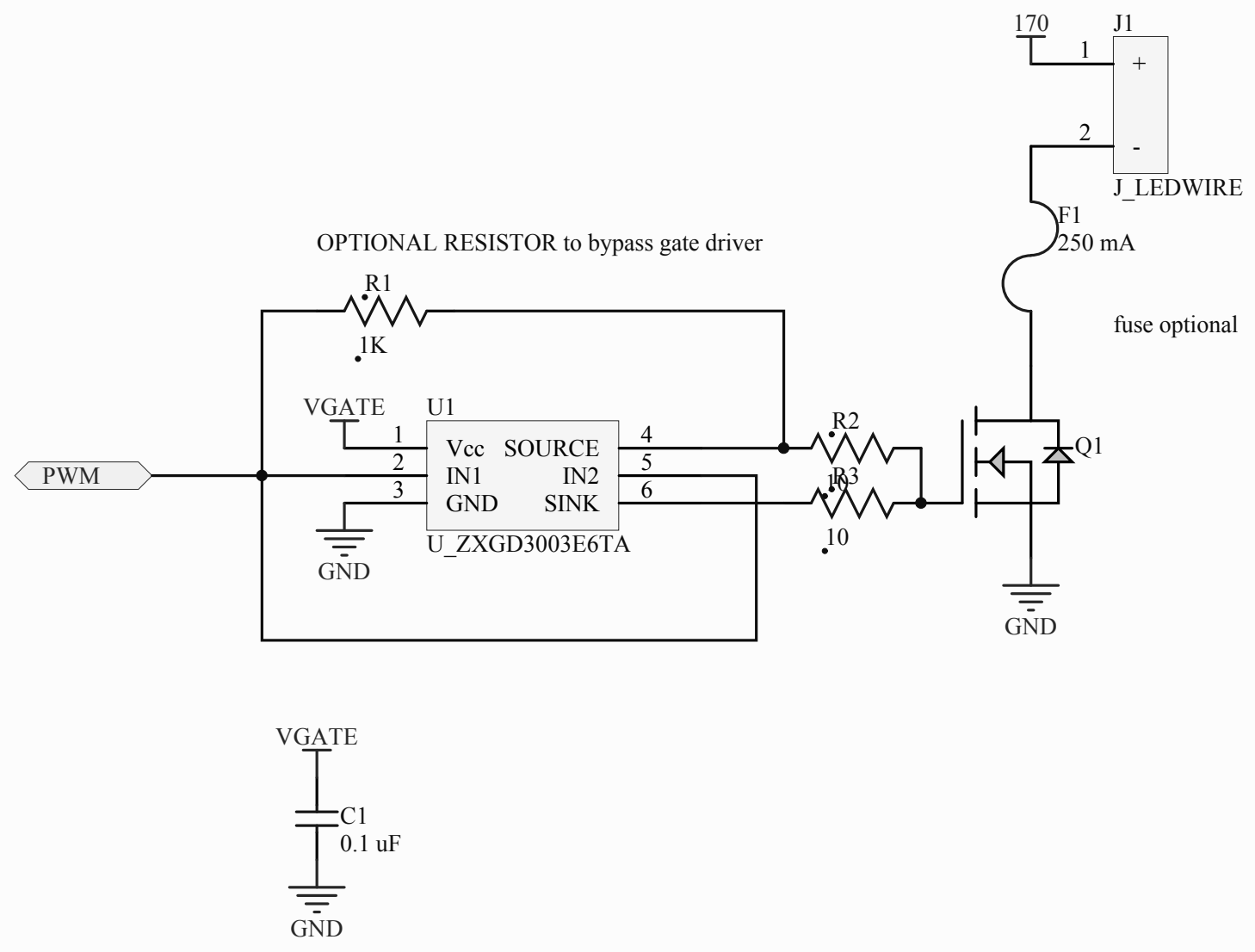
Power In



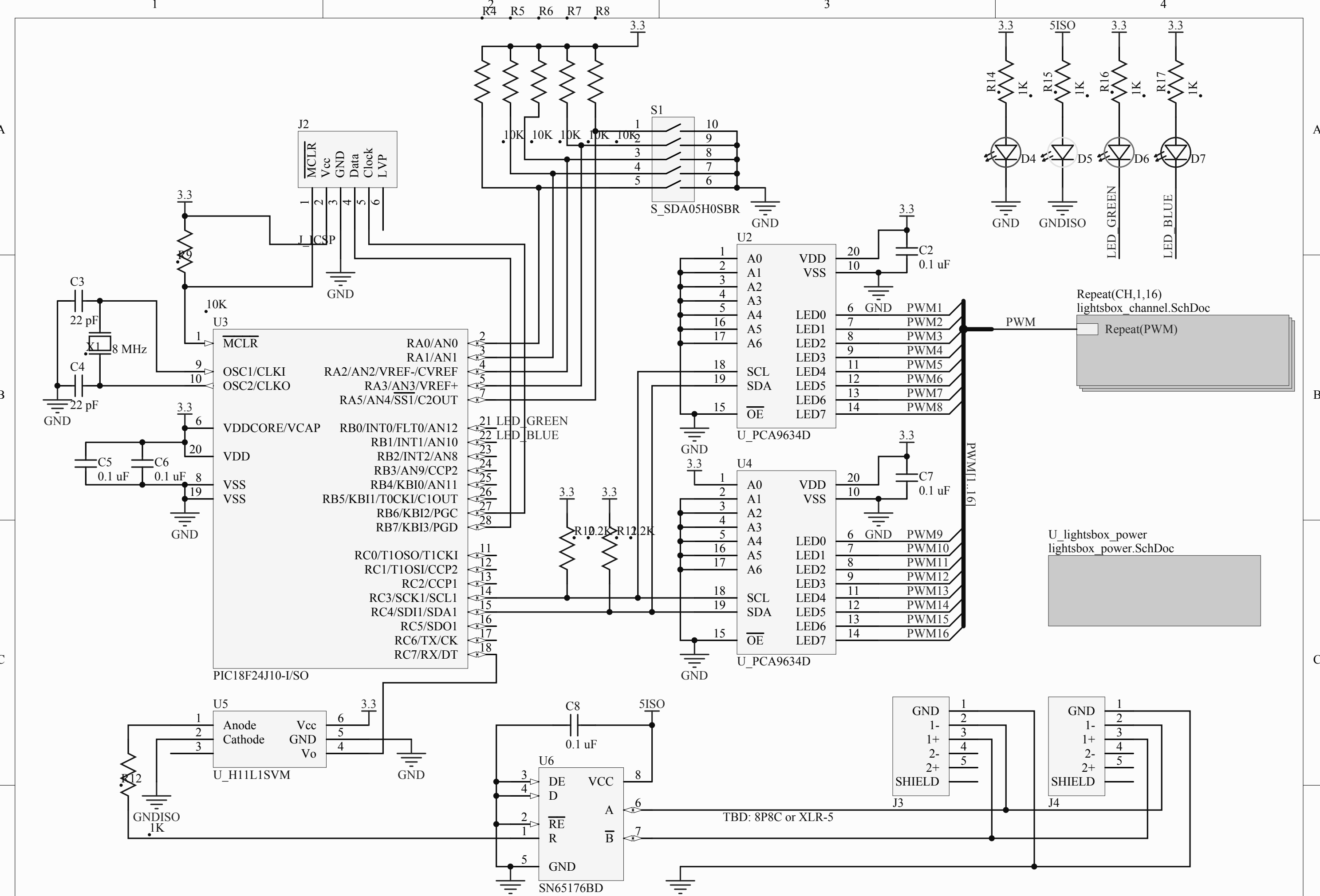
NTP
Aurora Digitalis

Danger: High Voltage
Remains In Capacitor

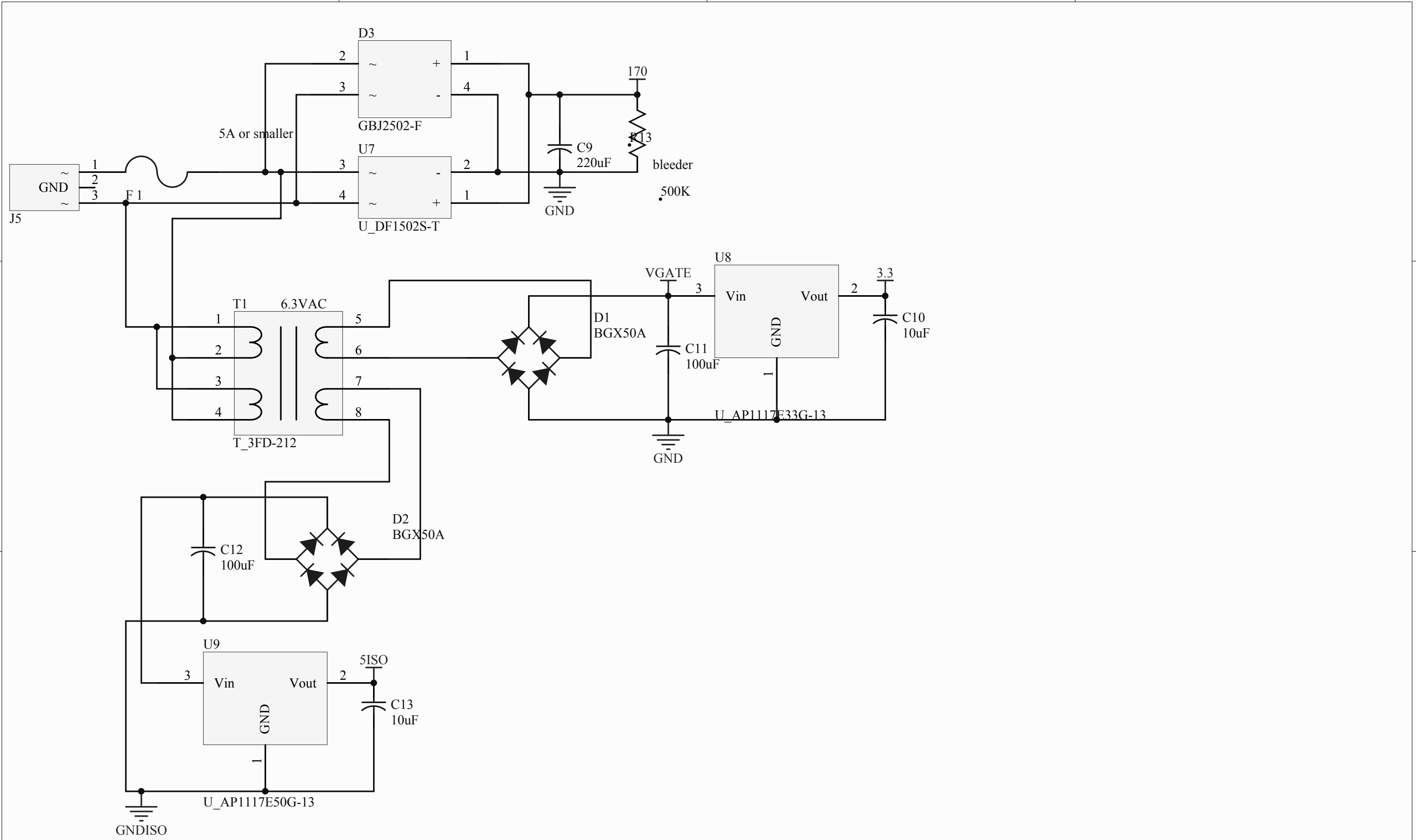




| | | |
|--------------------------------|---|----------|
| Title | | |
| NTP^2 Lights Box Channel Sheet | | |
| Size | Number | Revision |
| A | | 0.1 |
| Date: | 11/2/2011 | Sheet of |
| File: | C:\Documents and Settings\...\lightsbox_channel_sheet.doc | |



| | | |
|-------|--|----------|
| Title | | |
| Size | Number | Revision |
| A | | |
| Date: | NTP^21122014 | Sheet of |
| File: | C:\Documents and Settings\...\lightsbox main | Sheet of |



| | | |
|---------------------------------------|---|-----------------|
| Title NTP^2 Lights Box Power Sheet | | |
| Size A | Number | Revision 0.1 |
| Date: | 11/2/2011 | Sheet of |
| File: | C:\Documents and Settings\...\lightsbox_power_sheet.doc | |